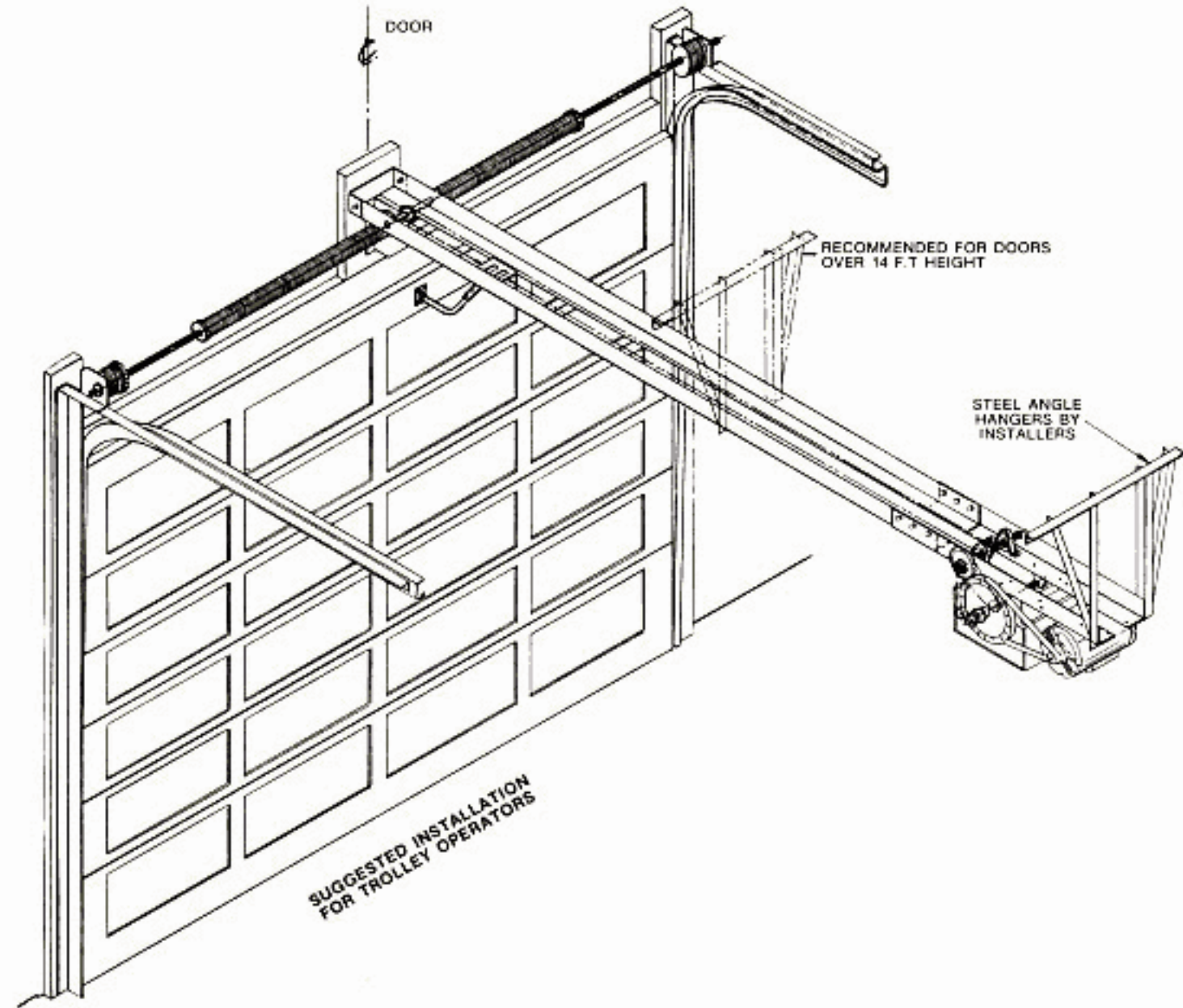
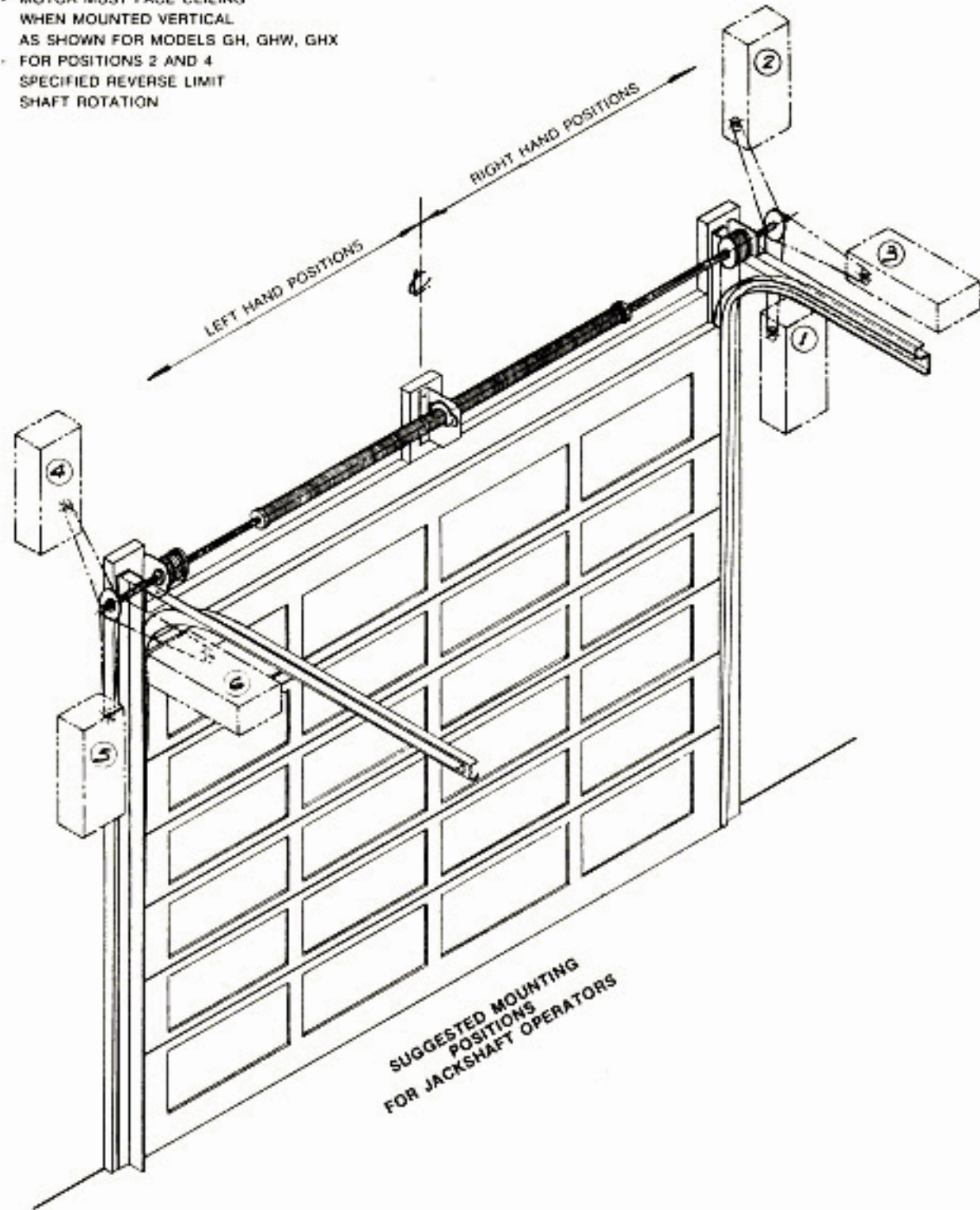


POSITIONS

- 1- BELOW DRIVEN SHAFT R.H.
- 2- ABOVE DRIVEN SHAFT R.H.
- 3- SHELF MOUNT R.H.
- 4- ABOVE DRIVEN SHAFT L.H.
- 5- BELOW DRIVEN SHAFT L.H.
- 6- SHELF MOUNT L.H.

NOTE:

- MOTOR MUST FACE CEILING WHEN MOUNTED VERTICAL AS SHOWN FOR MODELS GH, GHW, GHX
- FOR POSITIONS 2 AND 4 SPECIFIED REVERSE LIMIT SHAFT ROTATION



This drawing and all information contained herein is confidential and the property of DOORLEC CORPORATION.

It may not be reproduced in whole or in part without express written consent.

This document is loaned subject to be returned upon demand. It may not be used directly or indirectly for purposes detrimental to the interests of DOORLEC CORPORATION.

Copyright 1985
ALL RIGHTS RESERVED

OC DOORLEC CORPORATION

**ELECTRIC OPERATORS
JACKSHAFT & TROLLEY
INSTALLATION**

Date: April 1987

Approved
P.G.S.

Drawg. No.
3027