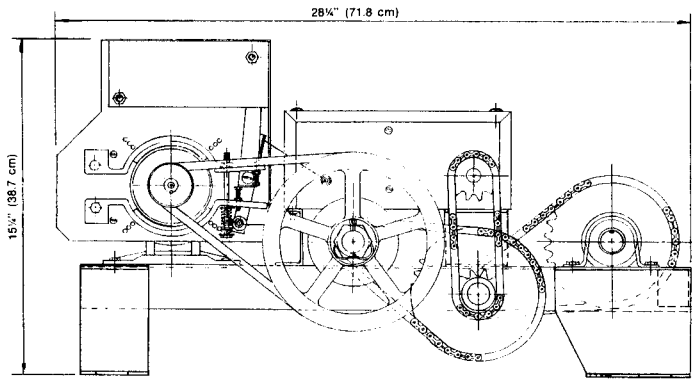
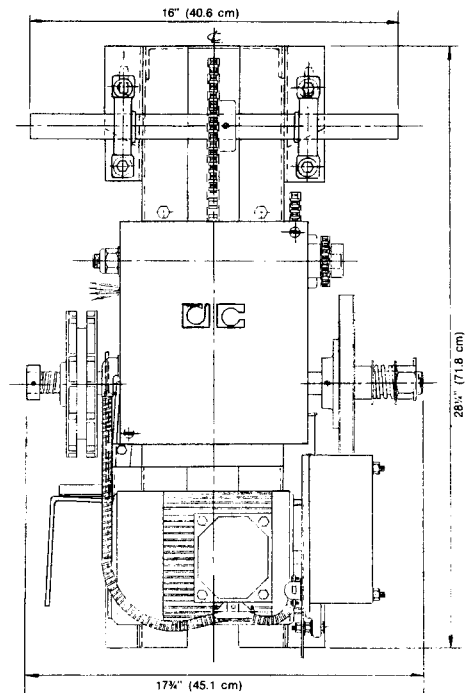


PLAN VIEW
(LOOKING FROM THE BOTTOM)



ELEVATION VIEW



PLAN VIEW
(LOOKING FROM THE TOP)

FOR EXPLODED VIEW
SEE DRAWING NO. 1057A

This drawing and all information contained
thereon is confidential and the property of
DOORLEC CORPORATION

It may not be reproduced in whole or in part
without express written consent.

This document is loaned subject to be returned
upon demand. It may not be used directly or
indirectly for purposes detrimental to the
interests of DOORLEC CORPORATION.

Copyright 1986
ALL RIGHTS RESERVED

DC DOORLEC CORPORATION

MODEL EHJ ASSEMBLY

Date: April 1987

Approved
P.G.S.

Drwg. No.
3008