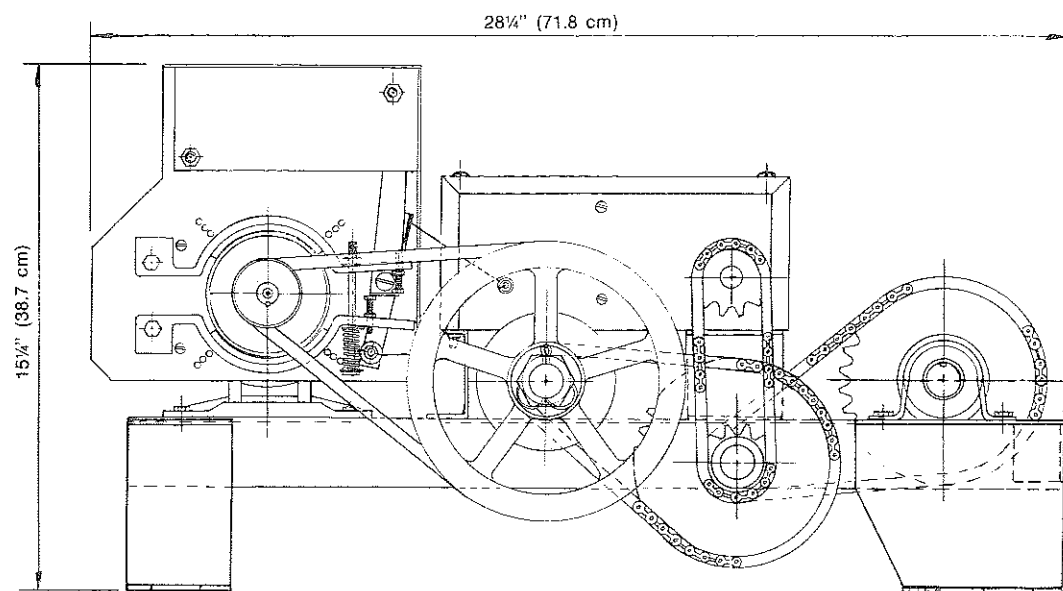
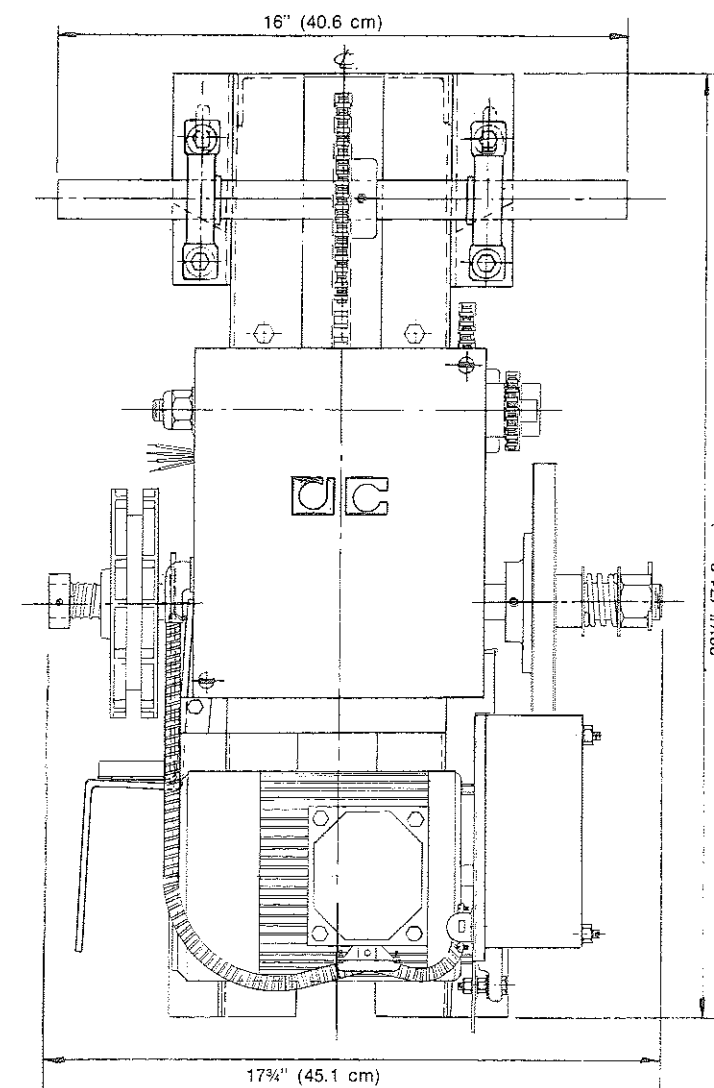


PLAN VIEW
(LOOKING FROM THE BOTTOM)



ELEVATION VIEW



PLAN VIEW
(LOOKING FROM THE TOP)

FOR EXPLODED VIEW
SEE DRAWING NO. 1057A

This drawing and all information contained thereon is confidential and the property of DOORLEC CORPORATION

It may not be reproduced in whole or in part without express written consent

This document is loaned subject to be returned upon demand. It may not be used directly or indirectly for purposes detrimental to the interests of DOORLEC CORPORATION.

Copyright 1985
ALL RIGHTS RESERVED

UC DOORLEC CORPORATION

MODEL EHJ ASSEMBLY

Date: April 1987

Approved
P.G.S.

Drwg. No.
3008